

# ***Digital Presenter User's Manual***

## ***Introduction***

This Digital Presenter is equipped with the most advanced RGB progressive CCD to capture the details of documents and output the high quality RGB signal. Also provide some easy but useful functions such as flip image, adjust the brightness and digital zoom to let your presentation successful

## ***Package Check***

The Digital Presenter comes with the parts listed below. Check if all parts are included. If anything is missing, contact your authorized dealer or service center.

*Note: The power adapter is a safety related part. Please contact your authorized dealer or service center for replacement.*

- ◆ Digital Presenter
- ◆ User's Manual
- ◆ VGA Cable
- ◆ Power Adapter
- ◆ Lamp
- ◆ Power Cord

## ***Installation***

Place the Digital Presenter on a sturdy table and avoid a lamp just overhead to get shadow image or Hot spot. Connecting as Fig.1

*Note: Be sure the power switch is set in OFF position.*

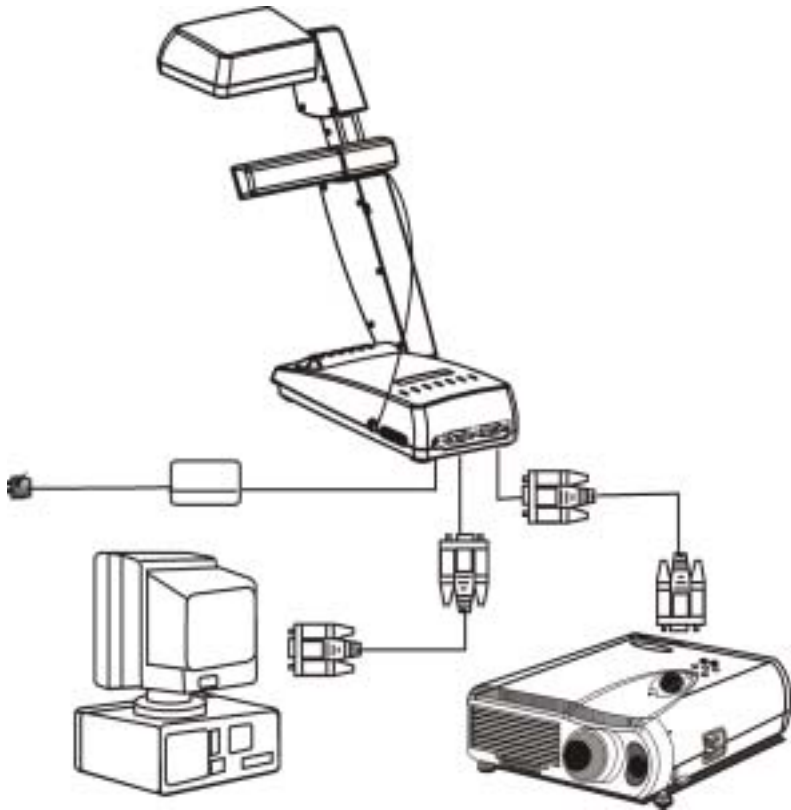


Figure 1: System Configuration of Digital Presenter

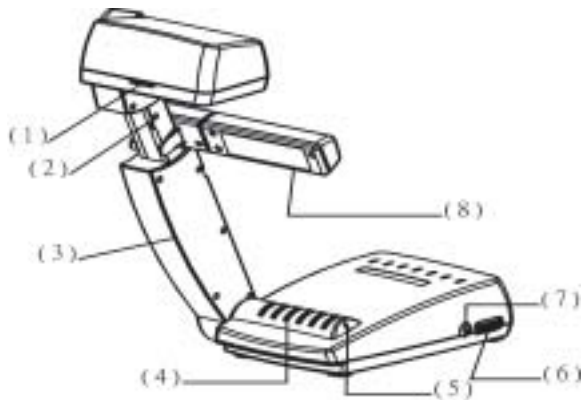


Figure 2: Front side view of Digital Presenter

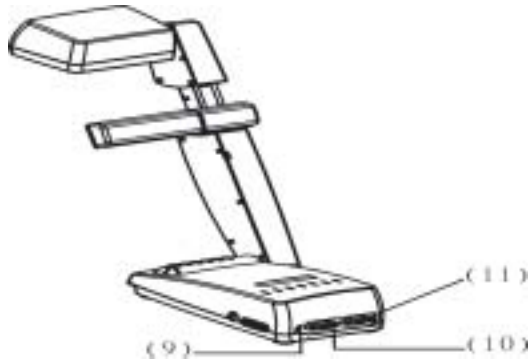
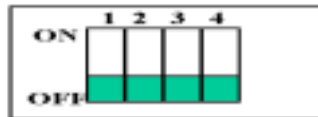


Figure 3: Rear Side View of Digital Presenter

- |                            |                  |
|----------------------------|------------------|
| ( 1 ) Focus Ring           | ( 7 ) Lamp Power |
| ( 2 ) Height Adjust Column | ( 8 ) Lamp       |
| ( 3 ) Angle Adjust Column  | ( 9 ) DC12V In   |
| ( 4 ) Control Panel        | ( 10 ) VGA In    |
| ( 5 ) LED                  | ( 12 ) VGA Out   |
| ( 6 ) Power Switch         |                  |







### DIP switch description



Switch	Description
SW1	ON: SVGA output format; OFF: XGA output format
SW2	ON: Flickerless Disable; OFF: Flicker less enable
SW3	ON: 50 Hz AC power; OFF: 60Hz AC power
SW4	ON: AE Disable; OFF: AE enable

*Note: The DIP switch setting will be taken effect only when you re-power on the camera*

## ***Control Button Description***

	Source Select	Source selection: computer VGA or camera
	Digital Zoom	Zooming from 100% to 300%
	Image Type	Photo, Text, Invert or Mono
	Flip	Rotate the image 180 degrees
	Decrease Brightness	Decrease picture brightness
	Increase Brightness	Increase picture brightness

## ***Some Using Tips***

### **Tip 1: How to avoid the hot spot.**

Glassy paper will result serious reflection of environment light and the lamp. If the document paper is glassy, you can take measures to overcome this problem.

- ◆ Change the camera location to avoid the overhead light source.
- ◆ Turn off the lamp.

### **Tip 2: How to control the camera to get best picture**

- ◆ Turn on the lamp to get lighter for better S/N ratio.
- ◆ Select the proper image type setting to get the best quality.
- ◆ Photo: Color picture, such as photo, color catalog.
- ◆ Text: Text rich document, such as report, text book
- ◆ Invert: Negative film
- ◆ Mono: Gray only picture.
- ◆ Adjust the focus ring to get sharpening picture.
- ◆ Put the document as flatten as possible.

### **Tip3: How to avoid a shadow image on document**


- ◆ Don't place your camera just beneath the lamps. You can turn off the room's light and turn on the lamp.

#### Tip 4: How to avoid image flickering

- ◆ The image flickering is caused by fluorescent lamp with power AC frequency 60Hz/50Hz light flickering. Please check your power system frequency and set the DIPswitch accordingly to remove the flickering problem.

*Note: The DIP switch setting will be taken effect only when you re-power on the camera*

#### Tip 5: How to increase zoom to 1600%

- ◆ Normally press  button will change the zoom size from 100% to 300%.
- ◆ If you want of use zoom function up 400% ~ 1600%, You should press the compound key :

■ 【  】 + 【  】 : Zoom In, from 100% to 1600%.

■ 【  】 + 【  】 : Zoom Out, from 1600% to 100%.